

Volatiles Interface Calibrated Manifold Assy

(HP part no. G2319-60500)

Description	HP Part No.	Qty.
1. Male Connectors 1/8 in. Swagelok	G1543-80030	2
2. Screw, M4 x 45 mm, Torx T20	0515-2484	1
3. Inlet Supply Fitting	G1543-20510	1
3A. Screw, M3 x 20 mm, Torx T10	0515-1319	8
4. O-rings, under connectors and fitting (12/pkg)	5180-4182	1
EPC Valve Replacement Kit	G1530-60610	2
Split Vent On/Off Valve	G1544-60580	1

For diagram of screw and O-ring placement in pneumatic modules see figure 1310-7 on page 15 of this section.

Volatiles Interface Calibrated Manifold Assy

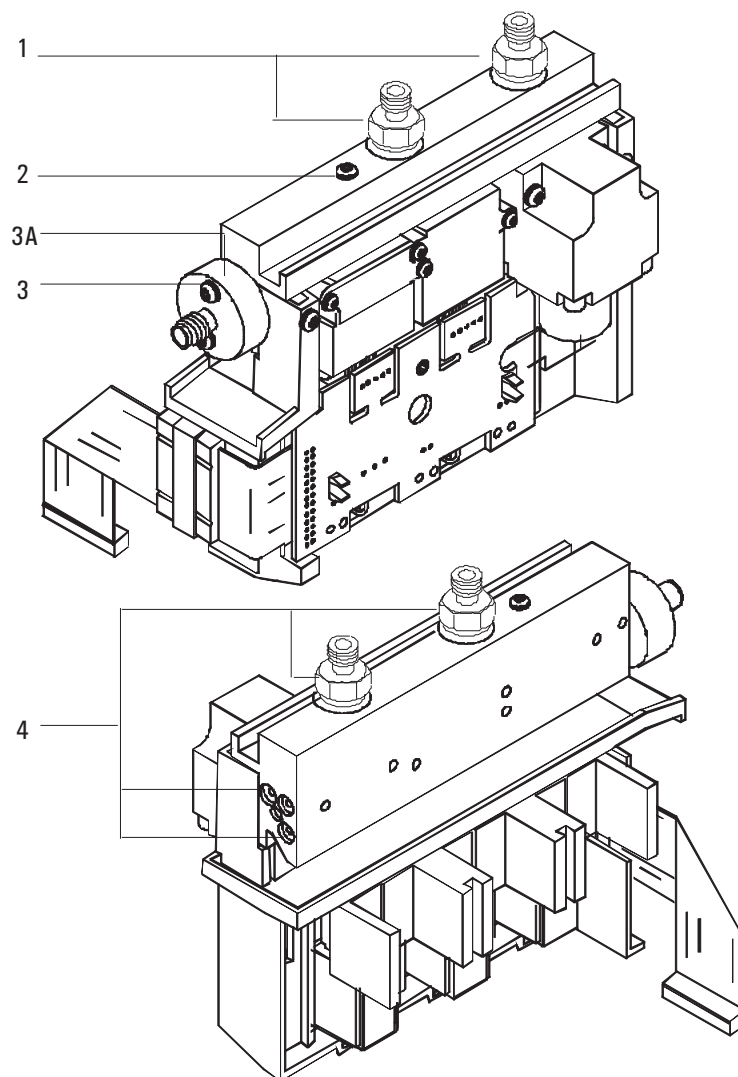


Figure 1310-16 Volatiles interface EPC flow module